

# CJ Series Filter Retaining Ring Replacement Kit

## ⚠ WARNING

**FOR YOUR SAFETY:** This product must be installed and serviced by a professional pool/spa service technician. The procedures in these instructions must be followed exactly. Improper installation and/or operation can create dangerous high pressure which can cause the filter lid to be blown off, possibly causing death, serious injury or property damage. Improper installation and/or operation will void the warranty.

**These instructions are to be used with the following Jandy Replacement Kits (R-Kits):**  
**R0409900-- Filter Tank Retaining Ring Replacement Kit (CJ)**  
**R0410000-- Filter Tank Bottom with Retaining Ring Replacement Kit (CJ)**

This document gives instructions for replacing the Filter Tank Retaining Ring and Filter Bottom with Tank Retaining Ring on Jandy® CJ200 and CJ250 Cartridge Filters. The instructions must be followed exactly. Read through the instructions completely before starting the procedure.

## ⚠ WARNING

**NEVER** attempt to assemble, disassemble or adjust the filter when there is pressurized air in the system. Starting the pump while there is any pressurized air in the system can cause the filter lid to be blown off, which can cause death, serious personal injury or property damage.

### 1. Filter Tank Bottom Removal

- 1.1 Turn off the pump. Switch off the circuit breaker to the pump motor.

#### IMPORTANT

Open the air release valve on top of the filter tank to release all pressure from inside the tank and system (see Fig. 1). Leave the air release valve open.

- 1.2 Close the filter isolation valves on the system to prevent flooding. Remove the drain plug from the filter and allow the tank to drain. Replace the drain plug.
- 1.3 Loosen the union nuts on the inlet and outlet ports of the filter. Disconnect plumbing to filter ports.
- 1.4 Remove the locking ring by squeezing up on the handles and turning it counterclockwise.
- 1.5 Remove the top of the filter. Inspect the tank o-ring for damage. Clean or replace the o-ring as necessary.
- 1.6 Remove the Upper Bearing Assembly from the top of the filter. Remove the filter element from the tank bottom.
- 1.7 Remove the three (3) screws holding the Breather Tube Support. Slide the support off of the tank rib. The bottom of the Breather Tube will stay in the Plenum (see Fig. 2).

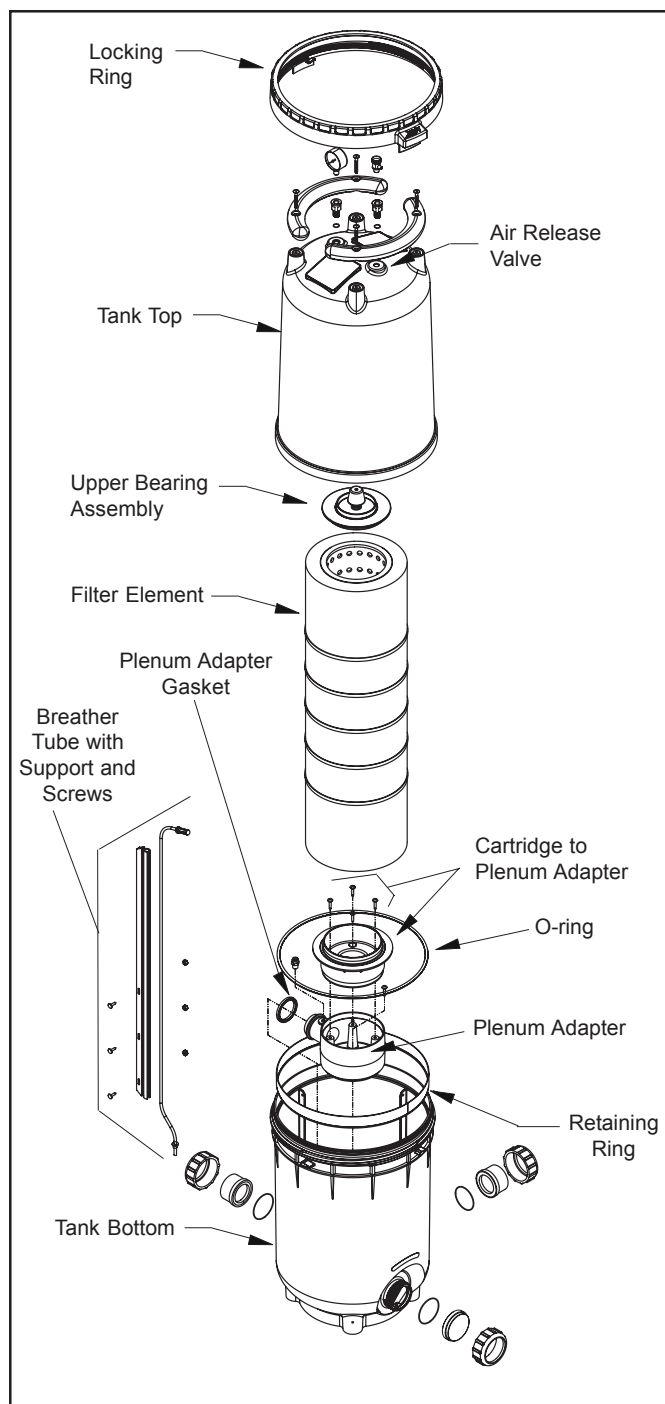
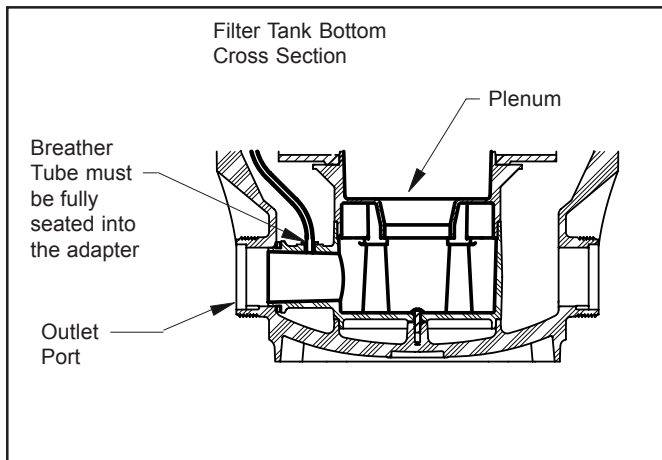
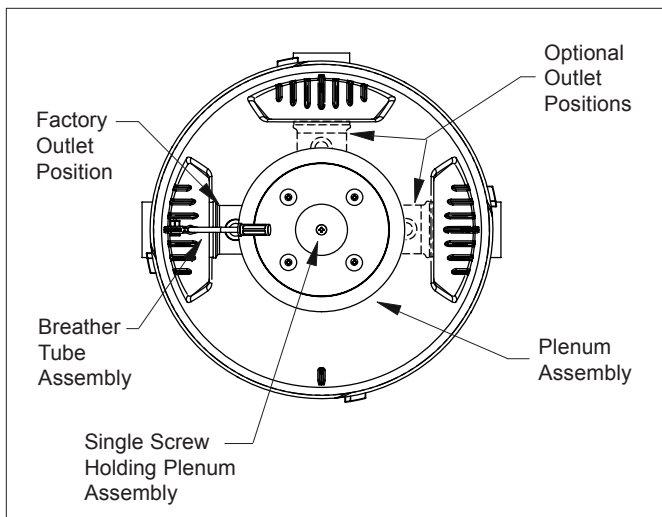


Figure 1. Filter Element Removal



**Figure 2. Removing the Outlet Port**

- 1.8 Remove the single screw holding the Plenum in place. Grasp the Plenum Adapter and pull the assembly out of the tank (see Fig. 3 ). Remove the tank bottom from equipment pad.



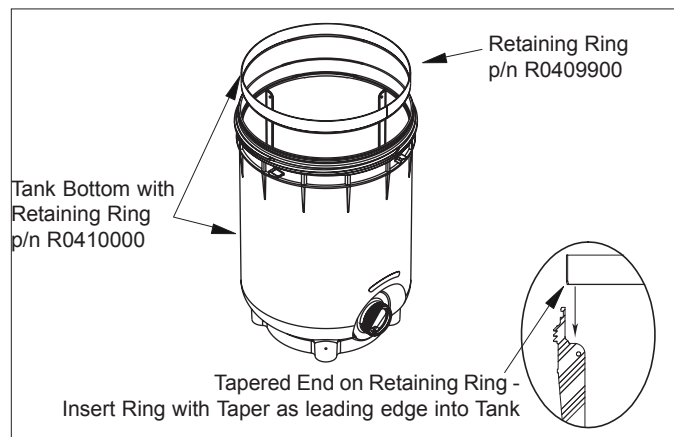
**Figure 3. Tank Bottom, Interior View from Top**

## 2. Filter Tank Bottom w/ Retaining Ring Replacement (p/n R0410000)

- 2.1 Place new filter tank bottom on equipment pad (see Fig. 4).

**Note** The CJ series filter tank retaining ring (p/n R04099000) can be inserted into an existing CJ series filter tank bottom. The ring is tapered (bent) on one end to allow ease of insertion into the tank (see Fig. 4). Carefully install the ring with the tapered side as the lead-in. If the ring does not fit into the tank, use CJ series filter tank bottom with retaining ring (p/n R0410000).

- 2.2 Rotate the Plenum Assembly to the desired position. With the Plenum Assembly in place, push down until it is seated. Place the screw into the Plenum Assembly and hand tighten the screw.



**Figure 4. Filter Tank Bottom with Retaining Ring**

- 2.3 Slide the Breather Tube Support onto the correct rib inside the tank bottom. Place the three (3) screws into the support and hand tighten the screws. **DO NOT use a wrench.**

### ⚠ WARNING

It is important that the breather tube is fully seated into the adapter. If the breather tube is not installed properly unwanted high pressure can cause the filter lid to be blown off, which can cause death, serious personal injury or property damage.

- 2.4 Place the new or cleaned filter element into the tank bottom. Place the Upper Bearing Assembly on top of the filter.
- 2.5 Use a silicone based lubricant on the new or cleaned o-ring and place the o-ring onto the tank bottom.
- 2.6 Place the tank top onto the tank bottom. Be sure the tank halves are seated properly.
- 2.7 Put the locking ring over the filter and thread it onto the filter. Turn the locking ring clockwise until you hear it snap over the tabs on the lower half of the tank.
- 2.8 Plumb the filter inlet and outlet ports.
- 2.9 **Stand clear of the filter** and start the filter pump to circulate water through the system. When water starts to come out of the air release valve, close the valve.

### Parts List

Description	Part Number	Qty.
CJ Series Filter Tank Bottom with Retaining Ring	R0410000	1
CJ Series Filter Tank Retaining Ring	R0409900	1