

Jandy Energy Kit

INSTALLATION INSTRUCTIONS

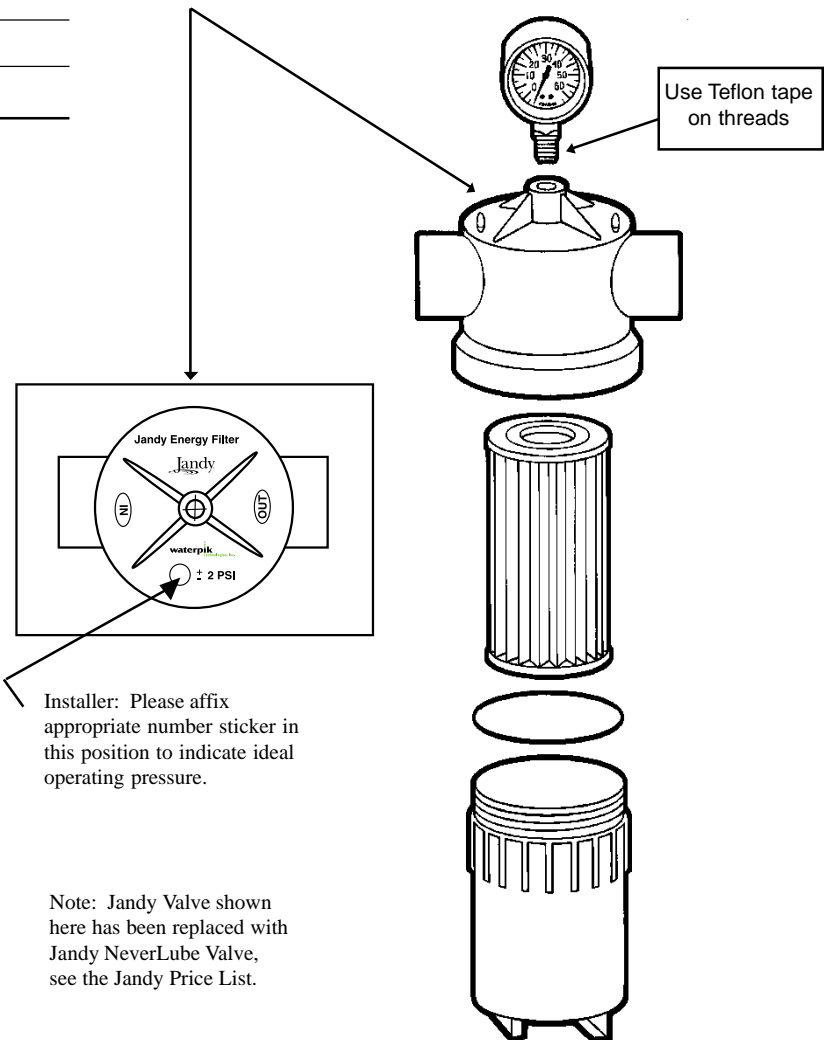
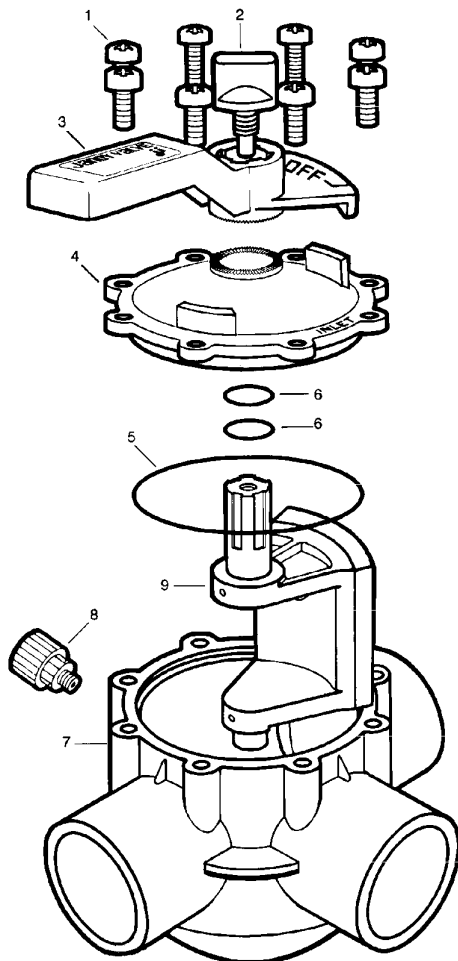
Part # 2887

JANDY 3-PORT VALVE PART #2021

Item No.	Part No.	Description	Quantity
1	1298	1/4"x20x3/4" machine screw	8
2	3042	Knob ABS	1
3	1301	Valve Handle	1
4	1303	Valve Cover (3 Port)	1
5	1132	151 O-ring	1
6	1307	116 O-ring	2
7	1312	3-Port Housing 1 1/2" - 2	1
8	2133	Grease Cup (Positive Seal)	1
9	3044	1/4"x20x3/4" machine screw	1
or	3045	1/4"x20x3/4" machine screw	1

JANDY ENERGY FILTER W/GAUGE PART #2888

Item No.	Part No.	Description	Quantity
1	2870	Gauge 0-60 PSI 1/8"	1
2	2612	Filter Top	1
3	2739*	O-ring 2-241	1
4	2613	1 sq.ft. element	1
5	2611	Filter Bowl	1



Installer: Please affix appropriate number sticker in this position to indicate ideal operating pressure.

Note: Jandy Valve shown here has been replaced with Jandy NeverLube Valve, see the Jandy Price List.

*Energy Filter Bowls with Lot#1073 and prior, use replacement O-ring part #3179. Lubricate O-ring with Silicon grease to prevent binding.

THE ENERGY KIT IS TO BE PLUMBED AT THE POOL EQUIPMENT PAD.

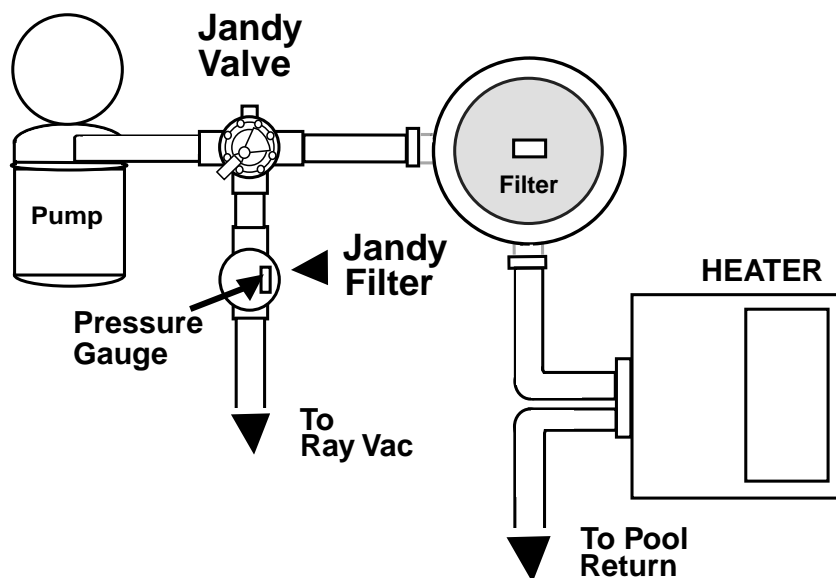
PLUMBING

Both the Jandy Valve and Jandy Energy Filter can be plumbed in 1 1/2" or 2" pipe. 1 1/2" pipe fits into ports. 2" pipe is joined using a 2" pipe coupler, a 45° fitting or a 90° fitting. You must use CPVC glue.

The Jandy Valve must be plumbed between the pool filter pump and the pool filter. The valve may be plumbed so any port is the incoming port. If a port other than the middle port is used as the incoming port, you must remove the lid (unscrew the 8 cover screws) and reset the lid so that the word 'INLET' that is embossed on the lid is over the incoming port.

WARNING: DANGEROUS PRESSURE LEVELS MAY DEVELOP DUE TO A "DEAD HEAT" SITUATION UNLESS THE VALVE IS RESET.

The Energy Filter is plumbed in the pool cleaner return line between the Jandy Valve and the pool. The Energy Filter ports are marked IN and OUT. Plumb the outlet port toward the pool RAY-VAC line. (See diagram.) Before gluing remove the clear bowl from the bottom of the filter. After gluing, clean any glue which might have dripped onto the filter top threads before reattaching the clear bowl.



After the Jandy Valve and Energy Filter have been plumbed, install the Pressure Gauge in top of Energy Filter. Use the teflon tape and hand tighten.

For maintenance of Energy Kit and Pool Cleaner Speed Adjustment, see Jandy Pool Cleaner Owner's Manual.



Jandy®

*6000 Condor Drive, Moorpark, CA, USA 93021 • 707.776.8200 FAX 707.763.7785
480 S. Service Road West, Oakville, Ontario, Canada L6K 2H4 • 905.844.8233 FAX 905.844.2635

Litho in U.S.A. © Water Pik Technologies, Inc. 0701